

Vynckier DT Covers

Catalog Number	Outside Dimensions (mm)			Hole Center Dimensions	Viewing Area	Weight lbs
	H	W	D			
A31-DTCOVERKIT	11.84 (301)	7.32 (186)	1.75 (44)	11.12" x 6.57"	10.27" x 4.38"	2.05
A41-DTCOVERKIT	11.84 (301)	11.84 (302)	1.75 (44)	11.10" x 11.10"	10.27" x 8.90"	2.27
A71-DTCOVERKIT	11.84 (301)	14.68 (372)	1.75 (44)	19.21" x 11.12"	10.27" x 11.66"	3.13
A51-DTCOVERKIT	11.84 (301)	19.2 (488)	1.75 (44)	22.88" x 11.12"	10.27" x 16.12"	3.55
A61-DTCOVERKIT	11.84 (301)	23.72 (604)	1.75 (44)	13.88" x 11.12"	10.27" x 20.70"	4.55

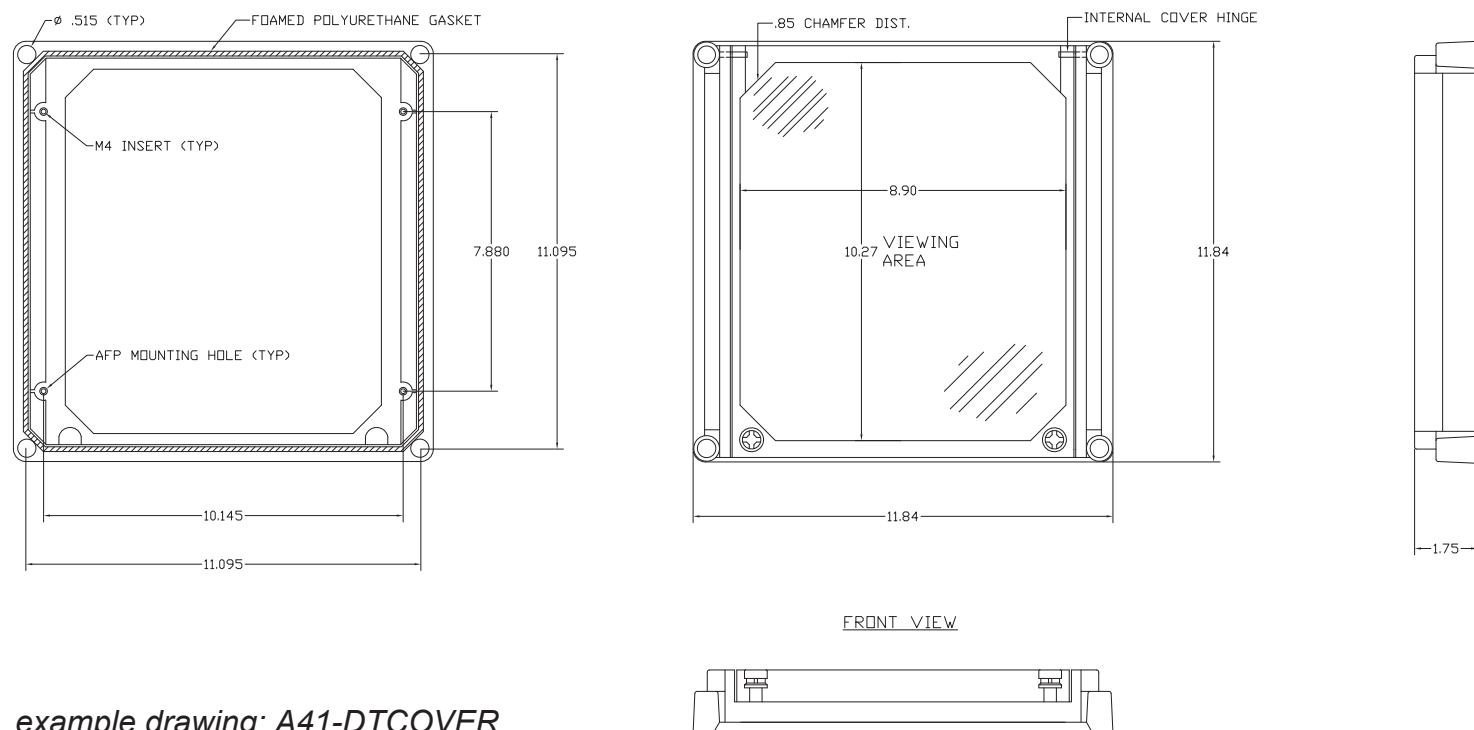
**Manufacturer's Easy Installation Instructions:**

As each application is different, these are general guidelines only:

1. Using DT Cover corner hole center dimensions pre-drill (hole diameter .203) panel for a #10 self-tapping screw (not included).
2. Mounting surface area should be flush and clean of dirt and debris.
3. Wipe clean DT cover gasket with clean cloth and alcohol.
4. Cover can be mounted on panel using VES "Blanking Insert" part # 41523.079 (included in KIT).
5. Place cover on panel and using the Blanking Insert, place one in each corner from the outside and secure from the inside with #10 self-tapping screw.
6. Seal head of screw on inside of panel with RTV to ensure watertight integrity.

**Alternate construction:**

Using long machine screws or bolts and a large enough washer to cover the DT cover corner screw holes, these can be used to mount the cover to the panel.



example drawing: A41-DTCOVER



# DT COVER

*Your window to the world*

**UL Type 4X  
Inspection Window**  
Internationally Recognized

DT COVER - Inspection Window - Type 4X





# DT COVER



# vynckier

ENCLOSURE SYSTEMS INC.

## DT Cover Hinged Inspection Windows

 **UL Recognized**

### Applications

Exclusive to Vynckier, the DT Cover is an accessory product that allows full view of instrumentation while protecting the system's monitors, pushbuttons, etc. The hinged transparent door allows full access to components and controls when needed, without constant exposure to the outside environment.

Customers benefit from reduced system costs, since instruments and components that are enclosed do not require Type 4X protection standards.

DT Cover is ideal for conditions that require access to operation controls and instruments. Customers benefit from reduced instrument maintenance and replacement costs, since components are protected from corrosive environments including dust, moisture, chemicals, and residue from equipment washdowns.

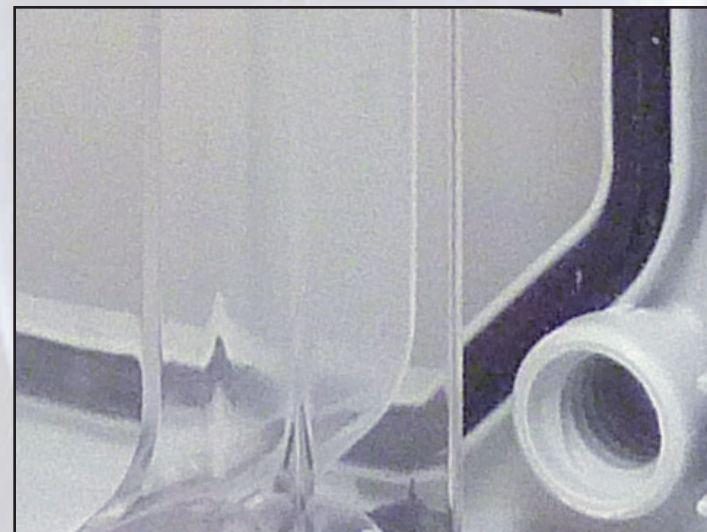
### Features

- Available in 5 sizes:  
12" x 7" / 12" x 12" / 14" x 12" / 19" x 12" / 24" x 12"
- **Cover:** Halogen-free, hot molded, self-extinguishing, fiberglass reinforced polyester (FRP), temperature resistant to 248°F.
- **Window:** Transparent polycarbonate hinged window, includes non-metallic thumb screw inserts for ease of opening, no tools required.
- Mounts on smooth, flat surface, regardless of material and maintains ratings up to UL Type 4X. (i.e. non-metallic, painted steel, stainless steel, etc.)
- Maintenance free and corrosion resistant.
- Seamless polyurethane gasket in molded door edge channel.
- Optional depth extensions available (except 19" x 12").

### Approvals:

UL Recognized for Types: 3, 3R, 4, 4X & 12  
File E54315

DT Cover is UL-Recognized for UL Type 4X which allows the customer to submit entire application for UL Listing of product.



Mounts to any enclosure or smooth, flat surface, regardless of material

Thumb screw inserts eliminate the need for tools

Seamless polyurethane gasket guarantees maximum protection

Convenient visual inspection of components

Offers superior protection against ingress of water